

Name: _____

Date: _____

Lab # _____

Modelling of Matter

Minutes: 60

Aim: To identify the category of matter by observing models.

PreLab (12 points):

Vocabulary:

Element: _____

Compound: _____

Mixture: _____

Diatomic: _____

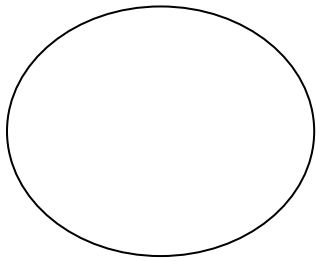
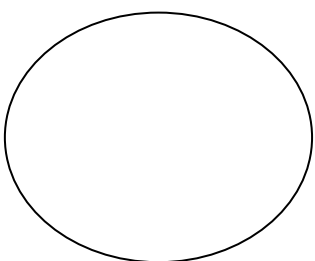
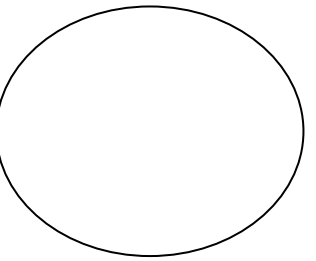
Homogeneous: _____

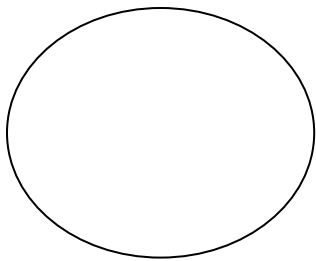
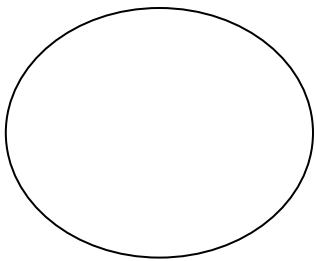
Heterogenous: _____

Miscible: _____

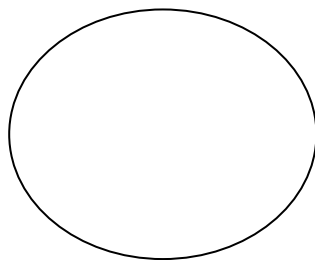
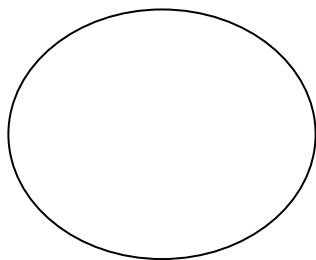
Immiscible: _____

METHOD: For each group of bead models, identify the model matching the terms given; in the space given, draw and label the diagram of the model, and draw a diagram. (42 pts)

Solid, Liquid, Gas		
		
1. _____	2. _____	3. _____

Element, Compound	
	
4. _____	5. _____

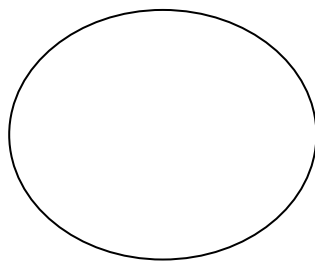
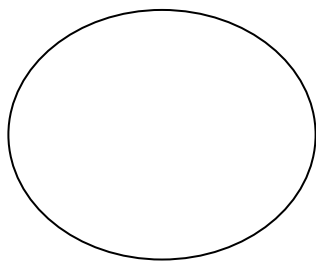
Diatomic Element, Monoatomic Element



6. _____

7. _____

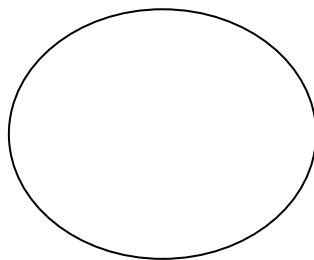
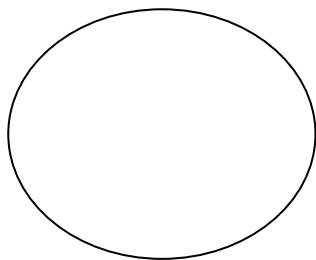
Heterogeneous mixture, homogeneous mixture



8. _____

9. _____

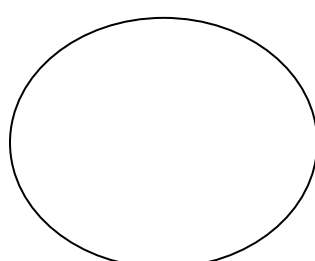
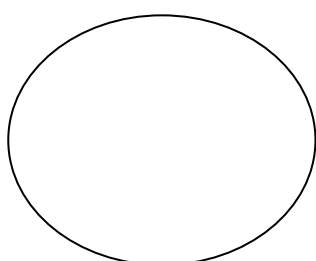
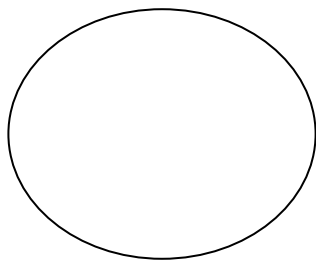
Immiscible (insoluble), Miscible



10. _____

11. _____

Mixture of 2 elements, Mixture of 2 compounds, Mixture of 1 element and 1 compound



12. _____

13. _____

14. _____